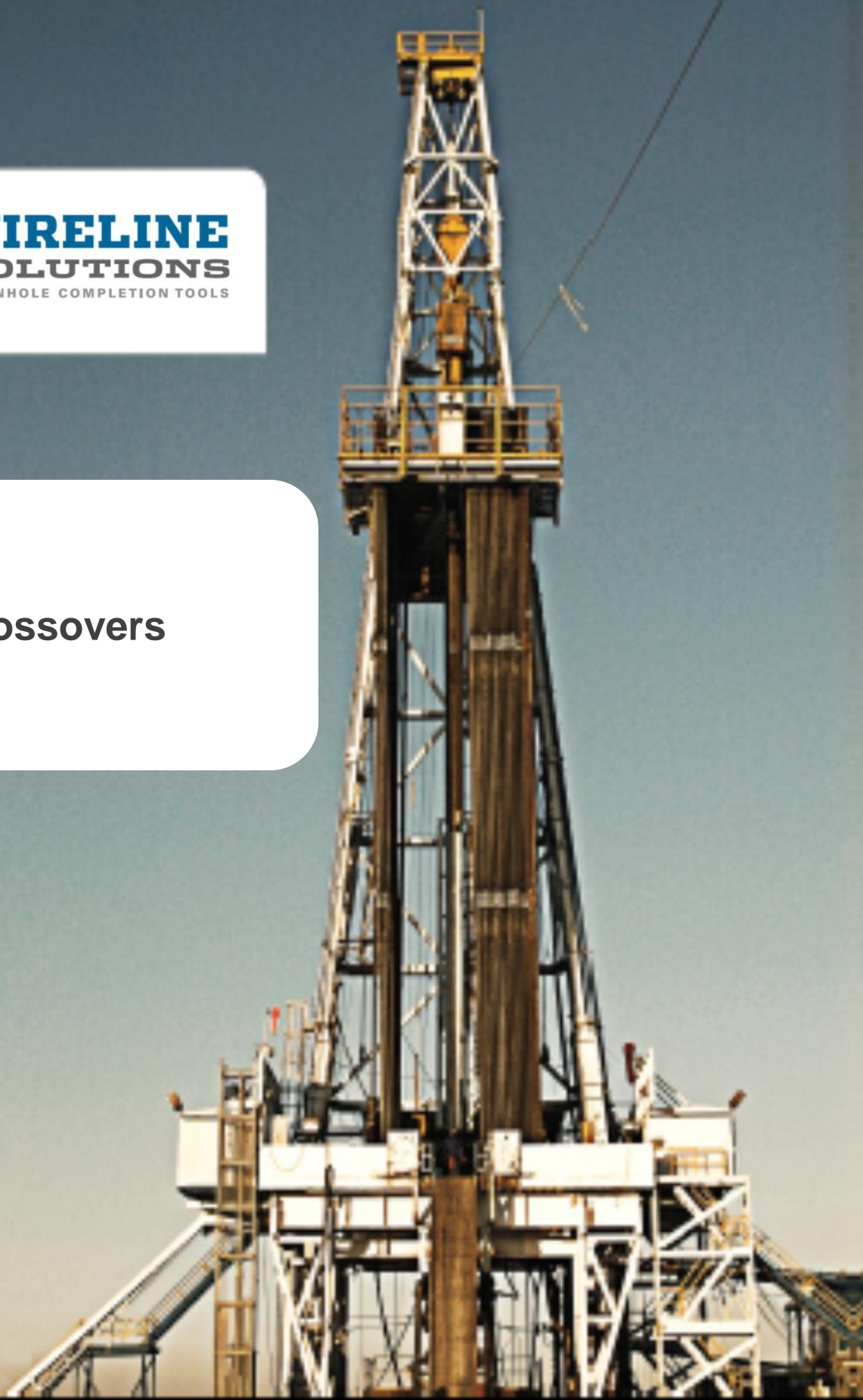




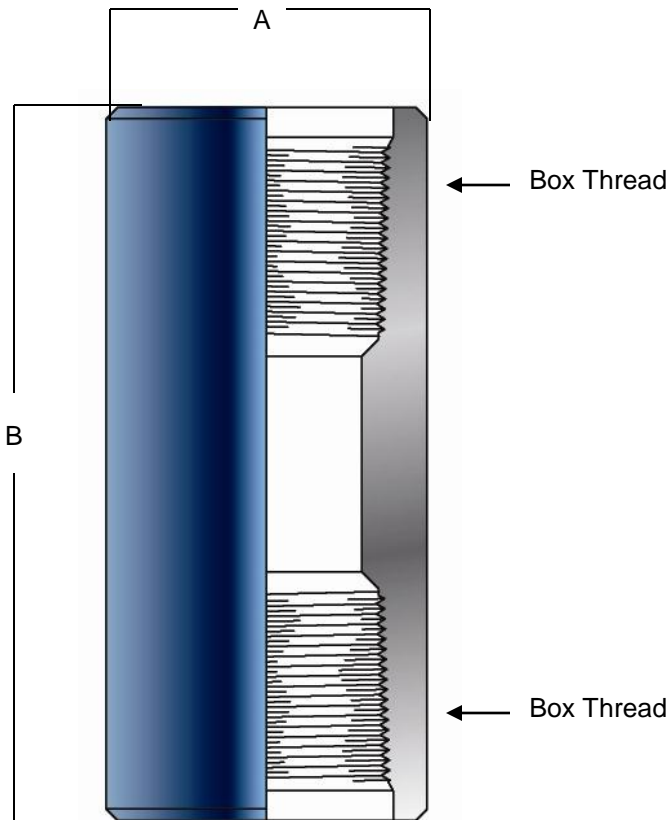
WIRESOLUTIONS
DOWNHOLE COMPLETION TOOLS

Crossovers



Tubing Crossovers Box X Box

PART No. L80 Material	Tubing Connection		A	B
	Box	Box		
056 1011 027	2 7/8 EUE	2 7/8 NUE	3.687	5.500
056 1011 041	2 3/8 EUE	2 3/8 NUE	3.062	5.500



Tubing Crossovers Box X Pin

PART No. L80 Material	Tubing Connection		A	B
	Box	Pin		
056 1011 093	2 7/8 NUE	2 7/8 EUE	3.486	7.000
056 1011 003	2 3/8 NUE	2 3/8 EUE	2.875	5.500
056 1011 022	2 7/8 EUE	3 1/2 EUE	3.750	7.000
056 1011 016	3 1/2 EUE	2 7/8 EUE	4.500	8.000
056 1011 001	2 7/8 EUE	2 3/8 EUE	3.687	6.500
056 1011 089	2 3/8 EUE	2 7/8 EUE	3.500	6.500

