



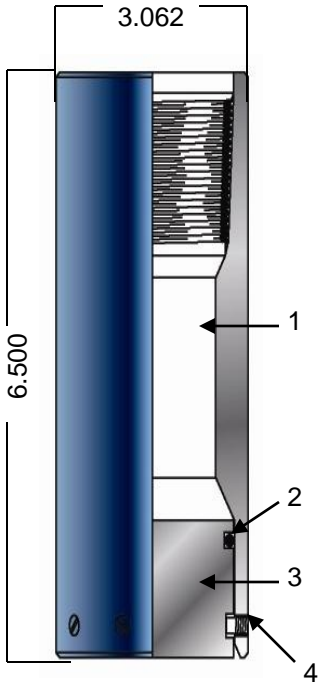
**WIRELIN**  
**SOLUTIONS**  
DOWNHOLE COMPLETION TOOLS

**Wireline Re-Entry  
Guides / Pump Out Plugs**



## Wireline Entry Guide Pump Out Plug Size 2 3/8"

The Wireline Solution's Pump Out Plug is a combination of three tools; Wireline Entry Guide, Tubing Testing Sub, and Pump Out Plug. It is designed to be run on the bottom of the tubing string.



### DESIGN FEATURES / BENEFITS

- ❖ (Ball Seat Type Plug) Prevents fluid flow in one direction (downward) while allowing fluid flow in the opposite direction (upward).
- ❖ May be used to test any tubing string, including production strings or to activate hydrostatic packer systems.
- ❖ After tubing has been tested or the packer activated, additional pressure is then applied, shearing out the expendable aluminum plug.
- ❖ Aids wireline tools that have passed out the bottom of the tubing to re-enter without hanging up.
  - ❖ Dependable, Simple, Quick.
  - ❖ All premium threads available.

### MATERIAL SELECTION:

4140 / L80  
 82,000 Yield  
 Resist Corrosion in  
 Sour Gas Environments

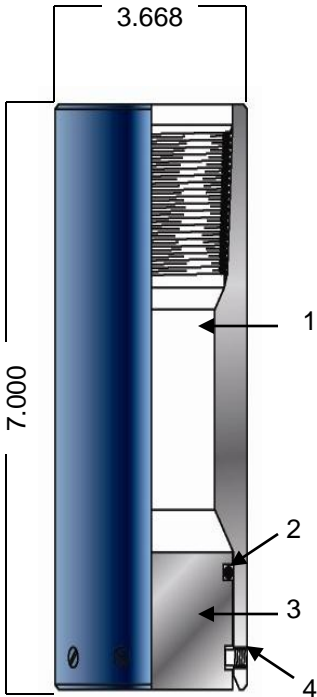
ITEM	PART NAME	No. REQ.	PART No.
1	2 3/8" Wireline Entry Guide	1	001802237260700
2	O-Ring	1	#332
*3	Aluminum Plug	1	001806237000800
4	Brass Shear Screws	8	5/16"-24 x 3/8", 2600#

\* Available with Ball Seat and Drop Ball.

## Wireline Entry Guide Pump Out Plug Size 2 7/8"

The Wireline Solution's Pump Out Plug is a combination of three tools; Wireline Entry Guide, Tubing Testing Sub, and Pump Out Plug. It is designed to be run on the bottom of the tubing string.

### DESIGN FEATURES / BENEFITS



- ❖ (Ball Seat Type Plug) Prevents fluid flow in one direction (downward) while allowing fluid flow in the opposite direction (upward).
- ❖ May be used to test any tubing string, including production strings or to activate hydrostatic packer systems.
- ❖ After tubing has been tested or the packer activated, additional pressure is then applied, shearing out the expendable aluminum plug.
- ❖ Aids wireline tools that have passed out the bottom of the tubing to re-enter without hanging up.
  - ❖ Dependable, Simple, Quick.
  - ❖ All premium threads available.

### MATERIAL SELECTION:

4140 / L80

82,000 Yield

Resist Corrosion in

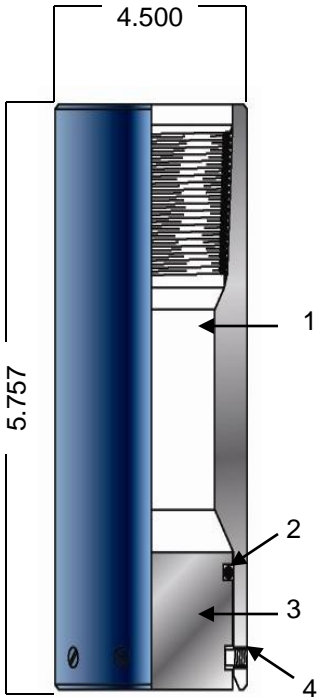
Sour Gas Environments

ITEM	PART NAME	No. REQ.	PART No.
1	2 7/8" Wireline Entry Guide	1	001802287440700
2	O-Ring	1	#334
*3	Aluminum Plug	1	001806287000800
4	Brass Shear Screws	10	5/16"-24 x 3/8", 3250#

## Wireline Entry Guide Pump Out Plug Size 3 1/2"

The Wireline Solution's Pump Out Plug is a combination of three tools; Wireline Entry Guide, Tubing Testing Sub, and Pump Out Plug. It is designed to be run on the bottom of the tubing string.

### DESIGN FEATURES / BENEFITS



- ❖ (Ball Seat Type Plug) Prevents fluid flow in one direction (downward) while allowing fluid flow in the opposite direction (upward).
- ❖ May be used to test any tubing string, including production strings or to activate hydrostatic packer systems.
- ❖ After tubing has been tested or the packer activated, additional pressure is then applied, shearing out the expendable aluminum plug.
- ❖ Aids wireline tools that have passed out the bottom of the tubing to re-enter without hanging up.
  - ❖ Dependable, Simple, Quick.
  - ❖ All premium threads available.

### MATERIAL SELECTION:

4140 / L80

82,000 Yield

Resist Corrosion in

Sour Gas Environments

ITEM	PART NAME	No. REQ.	PART No.
1	3 1/2" Wireline Entry Guide	1	001802350620700
2	O-Ring	1	#238
*3	Aluminum Plug	1	001806350000800
4	Brass Shear Screws	10	5/16"-24 x 3/8", 3750#

\* Available with Ball Seat and Drop Ball